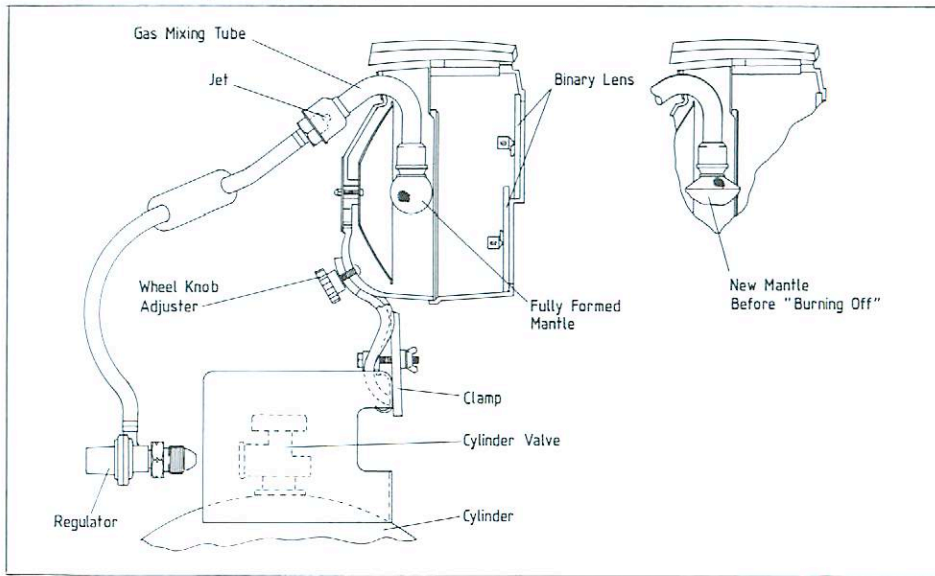


The Miniflood 1225 is a small non domestic portable floodlight particularly suitable for illuminating emergency road signs and for emergency use by public utilities, builders, contractors, farmers, vets, etc. It is supplied with a universal clamp to fit most propane gas cylinders - no stand is required. The clamp allows tilt adjustment of the lamp. The Miniflood is supplied already assembled with hose and regulator for immediate use and it provides 800 hours of continuous bright light when fitted to a 47 kg cylinder of propane.

To get the best results from your Miniflood it should be used in accordance with these instructions and the enclosed safety precautions leaflet giving general advice on the safe use of L P gas.

Assembly and Mounting:

Assemble the clamp to the lamp and secure the whole assembly to the cylinder of gas as shown in the diagram. The minimum size of cylinder should be approximately 4 kg capacity.



Positioning:

Care should be taken to position the lamp so that it cannot overheat other gas cylinders or any combustible materials (0.5 m minimum clearance). Avoid twisting or kinking the flexible hose. Do not use in basements or below ground level. Use only in a well ventilated area. The minimum room size should not be less than 15 m³ with a free ventilation area of more than 50 cm² divided equally between high and low levels. This free space and ventilation area are in addition to those required for other gas appliances or occupants of the room.

Connection to the gas supply:

1. Remove red protective cover from the regulator and check that the dome

- shaped inlet connector and the inside sealing face of the cylinder valve are clean and undamaged. Replace protective cover when regulator is not in use.
2. Connect the regulator to the cylinder and spanner tighten the nut. It has a left hand thread.
3. Check that the hose is secured at both ends with hose clips and that it is not twisted or touching the lamp housing as the hot surface may seriously damage the hose.

Using the Miniflood:

When The Miniflood is used for the first time or when a new mantle has been fitted, the mantle will require burning off as follows:

1. Adjust the lamp to a vertical position and open the front housing by unscrewing the knob on the side of the housing.
2. Distribute the fabric of the mantle evenly as shown in the diagram.
3. Hold a flame under the mantle until it begins to smoulder then slowly open the cylinder valve to allow a **very small** flow of gas to assist the initial burning off. Too much gas will distort the mantle and may blow a hole in it. Avoid touching a burned off mantle, it is very fragile.
4. Allow the mantle to burn off into its fully formed shape.
5. Close the front of the lamp and turn off the gas at the cylinder valve, readjust the angle as required when cool.

To relight the lamp.

1. Open the front of the lamp by unscrewing the knob at the side of the housing.
2. Turn on the gas at the cylinder valve and apply a flame to the mantle, when the mantle is lit carefully close the front of the lamp and adjust the angle of the lamp if necessary.
3. To turn the lamp off after use, close the cylinder valve.

Safety checks:

With the lamp lit, check for gas leaks using a soap solution or a leak detecting fluid as described in the Safety precautions. If any leaks are found, turn off the gas immediately and rectify the leak before further use.

Never search for gas leaks with a naked flame.

Check that the mantle is burning with a brilliant even light, but avoid looking directly at the mantle as its brightness may temporarily affect your vision.

If you are in any doubt about the use of you Miniflood, turn off the gas at the cylinder valve and consult your dealer.

Warning: All parts of the lamp will become very hot during use. allow it to cool before handling.

Care of the Miniflood:

The Miniflood No. 1225 is designed to withstand tough conditions; it is a quality product that will give reliable service when periodically cleaned and

maintained. Regular inspection will indicate when servicing is needed. Your dealer can arrange for servicing to be done by trained agents who will ensure that the lamp remains safe and efficient.

Cleaning:

When the lamp is cold wipe the housing and binary lens with a damp cloth. Avoid touching the mantle.

Occasionally, especially if the lamp has not been used for some time, unscrew the ceramic nozzle and with a high pressure air line blow through the gas mixing tube to clear any dust or insect debris that may have lodged there.

Mantle replacement:

The mantle should be changed if it develops splits or holes.

1. Open the front of the lamp by unscrewing the knob at the side of the housing and remove the remains of the old mantle and any ash inside the lamp. Take care not to breathe in the dust, wrap the ash and remains of the old mantle in paper and place in garbage disposal. If the ceramic nozzle is cracked or broken replace it with a new one.
2. Place the open end of a new mantle over the lip of the ceramic nozzle; pull the drawstring tight, knot it and cut off any excess string.
3. Refit to gas mixing tube, distribute the fabric evenly, as shown in the diagram.
4. If lamp is to be used, burn off the mantle as described (see section "Using the Miniflood").

Note: Always wash hands with soap and water or wet wipes, after handling mantles.

Regulator:

The domed end of the inlet connector of the regulator forms a gas tight seal when connected to the cylinder valve. Keep it clean and free from damage. When the regulator is not connected to the cylinder, replace the red protective cover over the connector.

Hose:

Keep the hose clean and inspect it regularly for damage. If it is cut, split or heavily scuffed have it replaced. Only 4,8 mm bore hose marked BS 3212/2 (Bullfinch No. 1299) is suitable for use with propane. Replacement hose should not exceed 0,5 m in length. Both ends should be secured with hose clips.

| Technical data | | | | | | Replacement parts: | | | |
|----------------|-----|------------------------|---------------|--------------------------|--------------------|---------------------------------------|--------|----------------|-------|
| Lamp No. | Jet | Operating pressure bar | Heat input kW | Gas consumption Btu/hg/h | dm ³ /h | Light output of mantle | mantle | Ceramic nozzle | Clamp |
| 1225 | A | 1 | 0.672 | 2293 | 57 30.3 | Approx. equivalent to 100W light bulb | 1228 | SP 1225 BC | 1223 |



**BULLFINCH
MINIFLOOD
No. 1225**

A non domestic, portable floodlight with manual ignition for LP gas.
Propane only at 1 bar
For use in GB

OPERATING INSTRUCTIONS

NOT FOR DOMESTIC USE

Read instructions before use.

Use in a well ventilated area.

Do not use in basements or below ground level.

Bullfinch (Gas Equipment) Limited

Diadem Works, Kings Road, Tyseley, Birmingham B11 2AJ.

Telephone: 0121 706 6301

Fax: 0121 707 0995



Q 09112

1225 BT ISS 2