

1. INTRODUCTION

The Bullfinch Miniflood model No. 1225 is a portable non-domestic floodlight with manual ignition using propane at 1 bar (14,5 psi).

The lamp is supplied already assembled with hose and regulator and has a universal clamp for mounting it to a gas cylinder, this clamp allows for tilt adjustment of the lamp. Miniflood lamps have been tested and certified in accordance with the Gas Appliance (Safety) Regulations 1992.

2. TECHNICAL DATA

Heat input	0,672 kW (2293 Btu/h)
Gas consumption	57 g/h (30,3 dm ³ /h)
Gas pressure	1 bar (14,5 p.s.i.)
Jet size	A
Weight	2.4 kg (1.06 lb)
Dimensions (width)	240 mm (9.5 in)
(height)	350 mm (13.8 in)
(depth)	240 mm (9.5 in)
Gas connection	Pressure regulator to BS 3016 5/8 BSP-14-LH-E- POL.

All data are approximate and, in line with our product improvement policy, may be subject to revision without notice.

3. ROUTINE MAINTENANCE

The following routine maintenance checks should be carried out if the lamp has not been used for some time. If the lamp is in regular use more frequent inspections may be required.

3.1 Cleaning

The metal surfaces and the binary lens can be wiped, when cold, with a damp cloth. Avoid touching the mantle, it is very fragile. Occasionally, especially if the lamp has not been used for some time, unscrew the ceramic nozzle and with a high pressure airline blow through the gas mixing tube to clear any dust or insect debris that may have lodged there.

3.2 Mantle Replacement

The mantle should be replaced if it develops splits or holes.

1 Open the front of the lamp by unscrewing the knob on the side of the housing and remove the remains of the old mantle and any ash inside the lamp. Take care not to breathe in the dust, wrap the remains of the old mantle in paper and place in garbage disposal. If the ceramic nozzle is cracked or broken replace it with a new one.

2 Place the open end of the new mantle over the lip of the nozzle; pull the

drawstring tight, knot it and cut off any excess string.

3 Distribute the fabric evenly and if the lamp is to be used immediately, burn off the mantle as described in the Operating Instructions.

Note: Always wash hands with soap and water or wet wipes, after handling mantles.

3.3 Hose

The hose should be inspected at regular intervals and checked for damage. If it is cut, split or damaged it should be replaced with a maximum 0,5 m of 4,8 mm bore high pressure hose to BS 3212/2 (Bullfinch No. 1299).

3.4 Operation

Light the lamp in accordance with the Operating Instructions and ensure that the lamp is burning with a brilliant even light, but avoid looking directly at the mantle as its brightness may temporarily affect your vision.

3.5 Gas Soundness

Check the gas soundness of all the joints with a leak detecting fluid (Bullfinch No. 550 is suitable) and rectify any leaks before using the lamp.

Never search for gas leaks with a naked flame.

4. SERVICING

Servicing should only be carried out by trained and competent service agents. After the servicing or replacement of any part check for gas leaks and correct operation.

4.1 Gas Jet To clean or replace the gas jet

- 1 Disconnect the jet carrier from the gas mixing tube using a thin 9/16 in BSW spanner.
- 2 Remove the jet and clean or renew.
- 3 Use PTFE tape or a small amount of sealing compound on the jet threads and replace the jet into the jet carrier.
- 4 Reassemble in reverse order.

4.3 Hose and regulator Assembly To replace the hose and regulator assy.

- 1 Unscrew the regulator and hose assembly from the gas mixing tube.
- 2 Apply PTFE tape to the male taper thread of the new hose assembly adaptor and fit to gas gas mixing tube.

4.4 Regulator To replace regulator

- 1 Unscrew the regulator and hose assembly from the gas mixing tube.
- 2 Cut through the hose approximately 50 mm from the regulator and discard the regulator, ensure that the warning label is attached to the hose.
- 3 Place a hose clip over the free end of the hose and push the end of the hose over the nozzle of the new regulator and secure the hose clip as shown in the diagram.

Note: It is dangerous to attempt to adjust or repair the regulator cannot recommend a particular size of clip for hose with a give size since the outside diameter can vary considerably.

4.5 Hose To replace the hose

- 1 Unscrew hose and regulator assembly from the gas mixing tube.
- 2 Remove and discard the existing hose clips and cut away the hose the regulator and the threaded hose connector. Avoid damage ribbed hose connections.
- 3 Recover the warning label attached to the existing hose.
- 4 Slip warning label and new hose clips over both ends of the new and push the ends over the hose connector and regulator connector. The hose should be a tight fit.
- 5 Secure the hose clips as shown in the diagram.

Note: We cannot recommend a particular size of clip for hose with a bore since the outside diameter can vary considerably.

4.6 Reflector To replace the reflector

- 1 Open the front of the lamp by unscrewing the knob on the side housing.
- 2 Unscrew the domed nut at the rear of the lamp and remove the reflector.
- 3 Reassemble in reverse order.

4.7 Binary Lens To replace the binary lens

- 1 Open front of lamp by unscrewing the knob on the side of the housing.
- 2 Slacken the spring clip screws and remove existing lens, if lens is broken, handle glass with care. Remove any dirt or grit from around lens seat.
- 3 Fit new binary lens and tighten the retaining clip screws. It is important that each lens half is not forced into place and once in position there should be free movement, up and down and from side.

5. SPARE PARTS See diagram

No.Part	Description	No.Part	Description
1 1041	Regulator	8 SP1225AL	Hose & Regulator
2 1228	Mantle	9 1223	Universal Clamp
3 SP 1225BC	Steatite Nozzle	10 SP 1225W	Wheel Knob
4 SP A	Jet	11 1299	4,8 Bore H.P. Hose (0,5m)
5 SP1595W	Retaining Clip Kit	12 1324	'O' Clip (11-13mm)
6 SP1225AH	Reflector	12 1326	'O' Clip (13-15mm)- Alt
7 1224	Binary Lens (Available in pairs only)		



BULLFINCH MINIFLOOD No. 1225

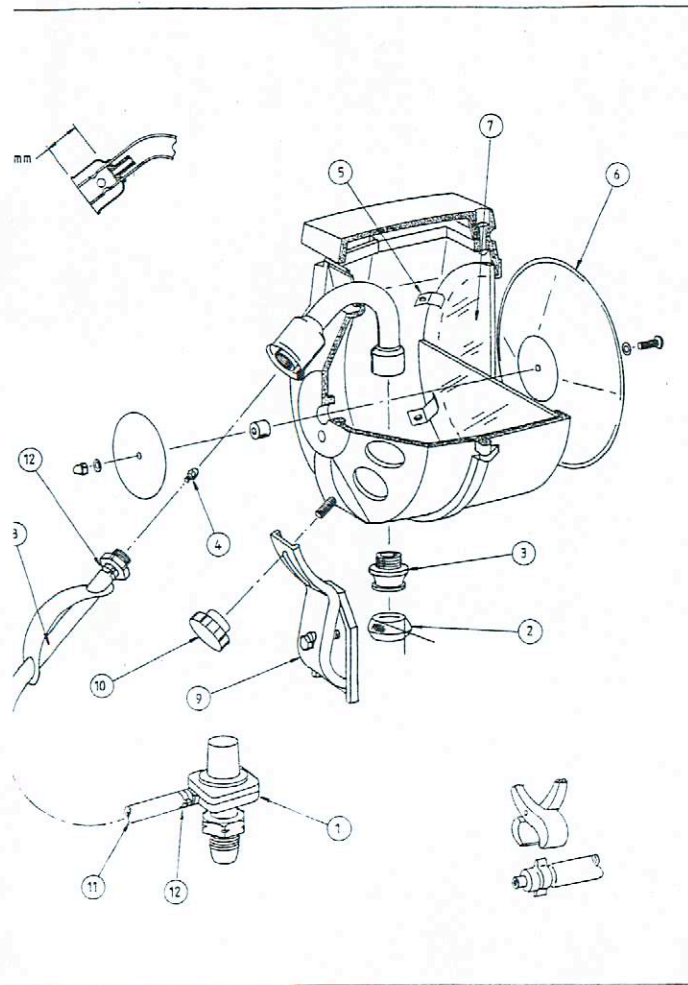
A non-domestic, portable floodlight for propane gas. Manual ignition.
For Propane at 1 bar.

SERVICING AND MAINTENANCE INSTRUCTIONS

CONTENTS

Section No.

- 1 Introduction
- 2 Technical data
- 3 Maintenance
- 4 Servicing
- 5 Spare Parts



Bullfinch (Gas Equipment) Limited
Diadem Works, Kings Road, Tyseley, Birmingham B11 2AJ.
Telephone: 0121 706 6301 Fax: 0121 707 0995
1225 CL Iss 1

