



SAT/TV/12V Access Point

No. 6094

12V 120W

Environmental protection BS EN 60529 - IP55

Installation and Operating Instructions.

To be kept in the vehicle.

The Bullfinch SAT/TV/12V Access Point is designed to provide access to the vehicles on board 12V system with both television and satellite coaxial connections built in. With the lid closed and the product correctly installed the SAT/TV/12V Access Point offers an international protection code of IP55 (full weatherproof protection).

Note: The product does not meet the requirements of IP55 when in use.

Installation Instructions:

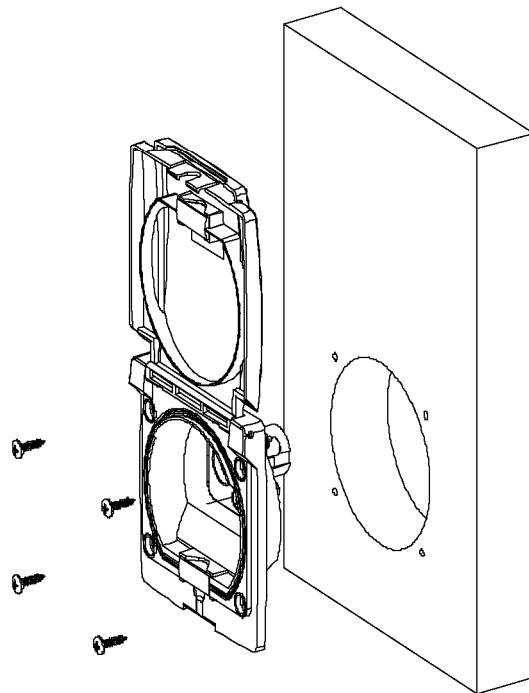
Warning:

Switch off and isolate the caravans 220/250V and 12V electric supply systems before carrying out installation of the SAT/TV/12V Access Point.

- This product must be installed by a suitably qualified electrician in accordance with the current editions of the IEE
- Wiring Regulations (BS7661) and where applicable the Building regulations.
- It is essential that all connections are made as instructed and that cables are not stressed and terminals are fully tightened.

The following tools may be required:

- Ø105 mm hole cutter.
- Pilot drill bit for No. 8 Self tapping screws. (Size dependent on metal wall thickness of the vehicle).
- Masking tape.
- Non drying mastic sealant.
- No. 2 "Pozidriv" screwdriver.

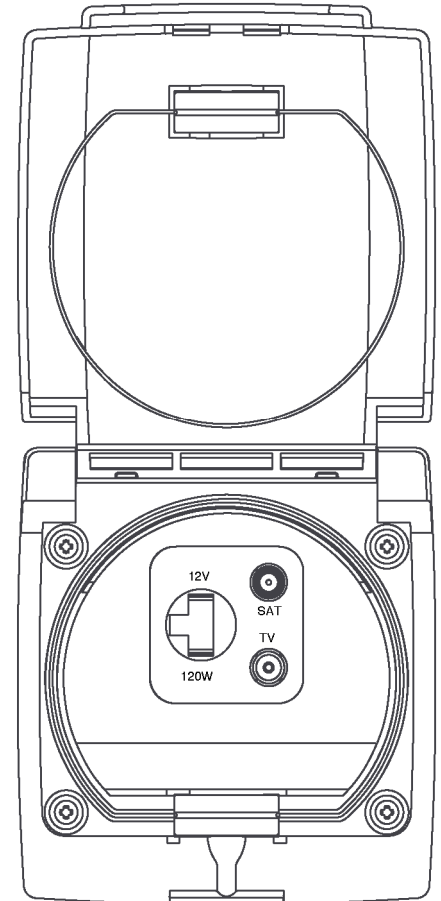


1. Select an appropriate site to fit your SAT/TV/12V Access Point avoiding structural sections within the wall of the vehicle for safety reasons.
2. Selected site must be a suitable safe distance from any gas and water connections.

3. Ensure that you have clear access to the internal vehicle wiring harness.
4. Once a suitable site has been selected mark the position for the centre hole.
5. Using a Ø105 hole cutter, carefully cut through the panel.
6. Offer up the SAT/TV/12V Access Point to the hole and mark the four mounting holes through the unit.
7. Using an appropriately sized drill for the screws to be used drill the four holes.
8. Apply a bead of non-drying mastic sealant to the rear flange of the socket and mount the Access Point to the wall using suitable screws.
9. Any gaps detected around the edges of the unit can be filled by applying a non-drying mastic sealant.
10. Electrical connections.
 - Electrical connections should be made using correct sized cable to connect to the vehicle 12V supply. (Contact your vehicle manufacturer if you are in any doubt regarding the conductor size).
 - Ensure that all conductors are connected to the appropriate terminals using correctly sized connectors.
11. Satellite / Aerial connections.
 - Connect the vehicles coaxial television and satellite cables to the appropriate terminal sockets on the Access Point.

Operating Instructions:

1. Open lid to connect the 12V adaptor and/or television/satellite coaxial leads.
2. Disconnect equipment, close and latch the cover into place to ensure a weatherproof seal.
3. Before moving the vehicle from a pitch ensure that all accessory points are disconnected and that the lid is latched in the closed position to prevent the ingress of water or other foreign matter from causing damage to the point or any of the vehicles services.



Bullfinch (Gas Equipment) Limited

Diadem Works, Kings Road, Tyseley, Birmingham B11 2AJ England.

Tel: +44 (0) 121 706 6301

Fax: +44 (0) 121 707 0995

6094 G Iss 1



Q 09112