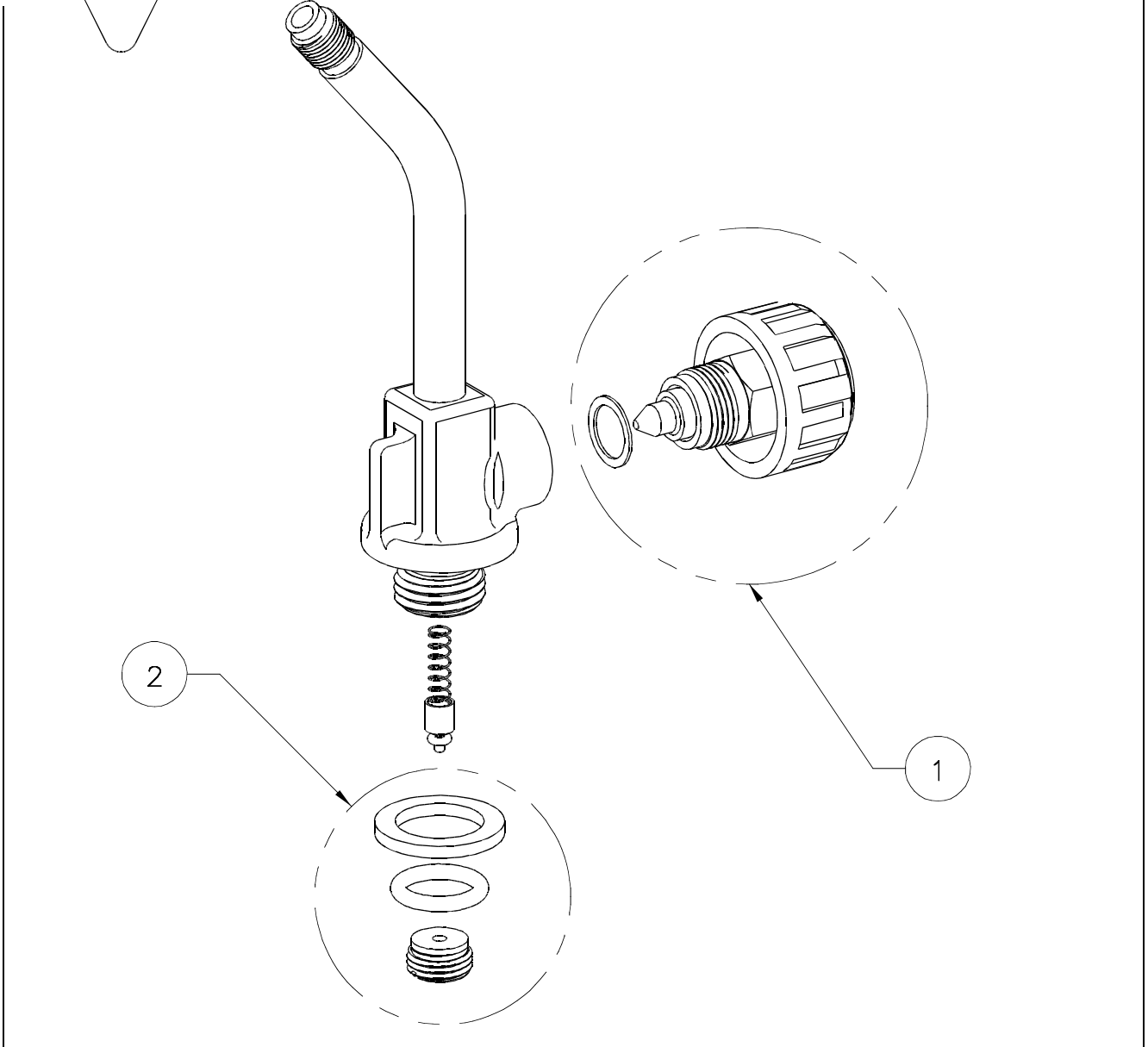


SPARE PARTS



Item	Part No.	Description
1	SP 1640 X	Control Valve Kit
2	SP 1640 W	Inlet Seal & Filter Kit

Item	Part No.	Description