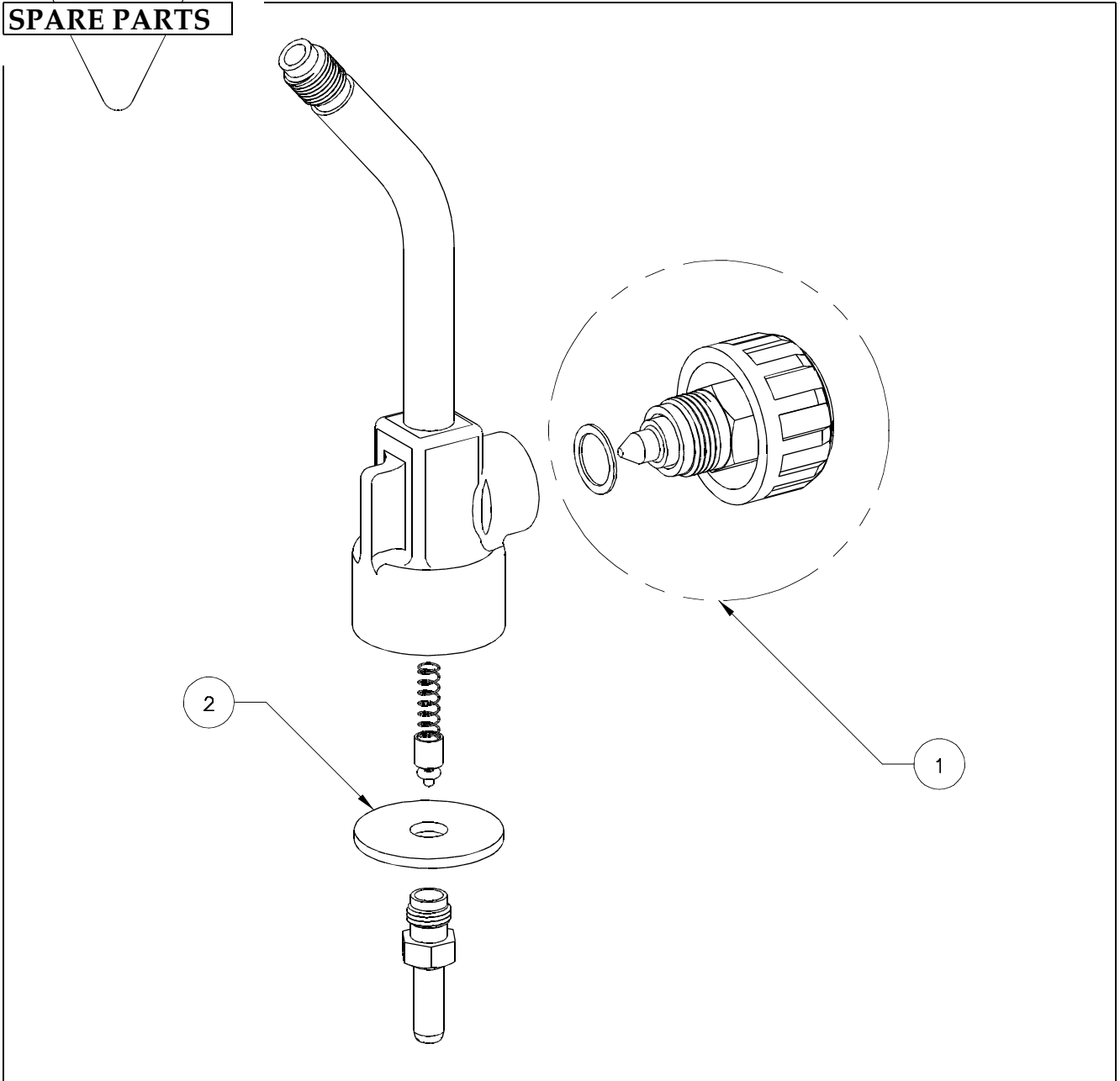


SPARE PARTS



Item	Part No.	Description
1	SP 1640 X	Control Valve Kit
2	SP 1645 F	Inlet Sealing Washer

Item	Part No.	Description