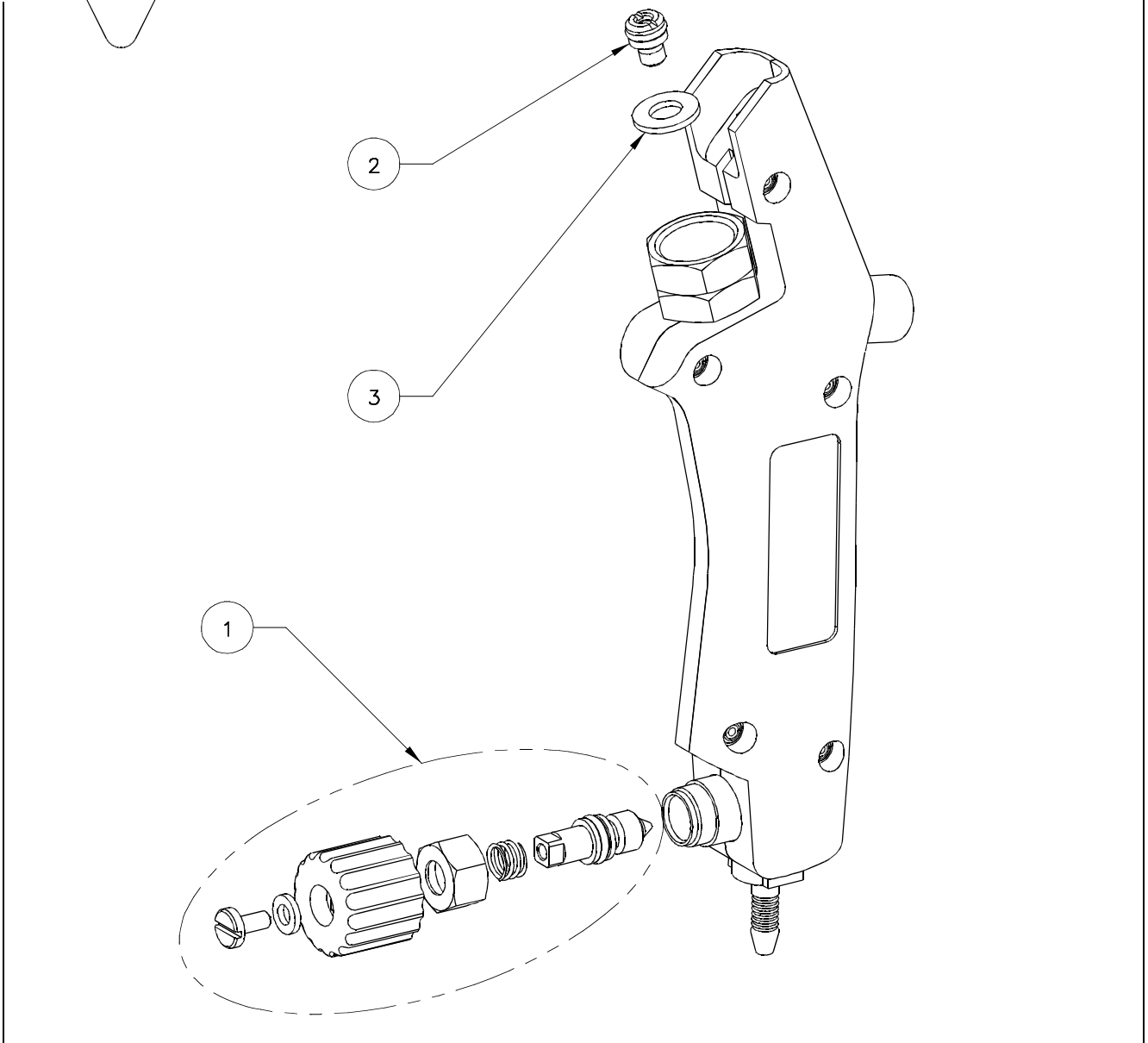


SPARE PARTS



Item	Part No.	Description
1	SP 100 A	Std. Control Valve Components
2	SP 2100 X	'O' Ring Screw Assembly
3	SP 2100 U	Sealing Washer

Item	Part No.	Description